

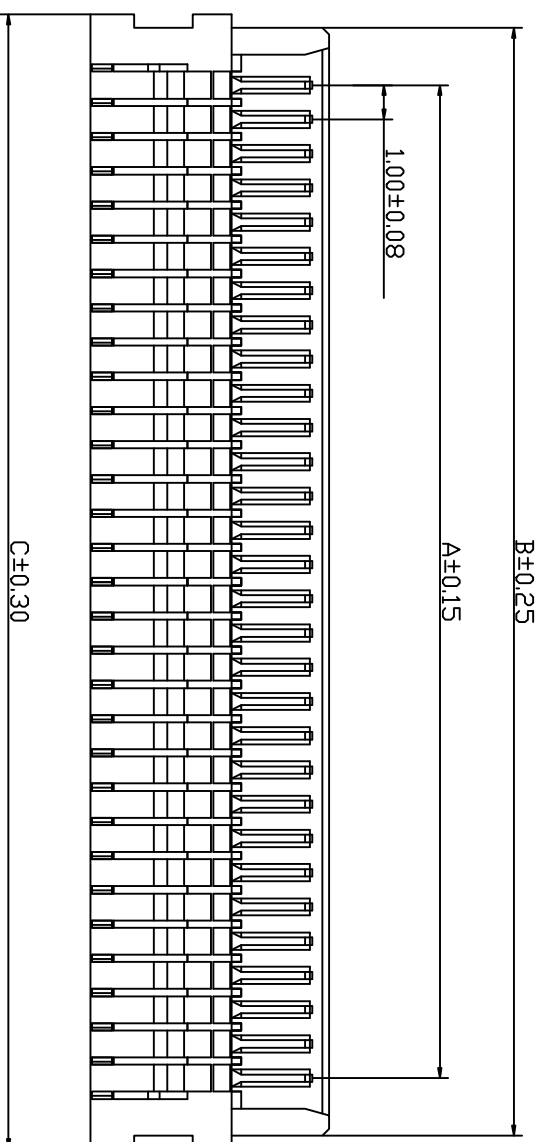
B

C

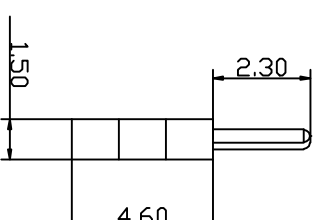
E

公差表

REV	ECN NO	LOCATIONS	DESCRIPTION	DATE	CHANGER
A			新版本	2016-04-08	李国常



4

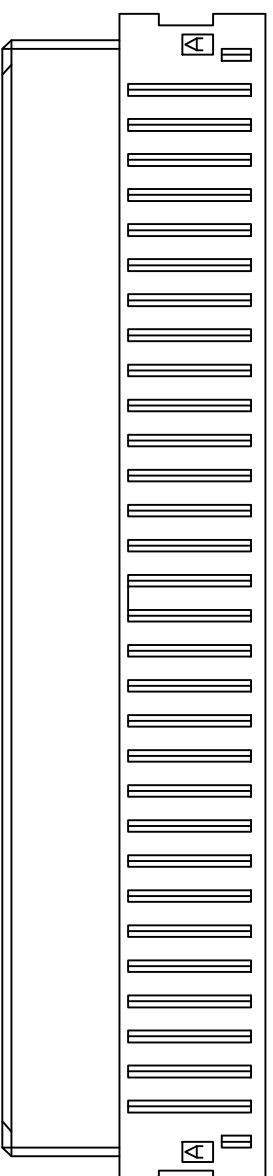
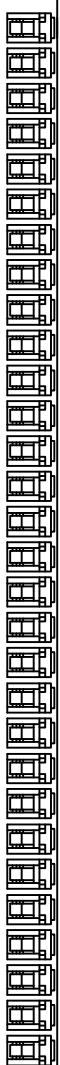


SPECIFICATIONS

- Voltage rating: 200V AC, DC
- Current rating: 1A, AC, DC
- Withstanding Voltage: 500V AC/minute
- Insulation resistance: 100MΩ min
- Temperature range: -40℃~+85℃
- Contact resistance: 20MΩ max

HOUSING

- Part No: H1006B-NP
- Poles: 20, 30
- Material: Nylon 46 UL94V-0



Part NO	Dimensions (mm)		
	A	B	C
H1006B-20	19.00	22.00	23.40
H1006B-30	29.00	32.00	33.40

KLT 深圳市康利通电子科技有限公司

成品规格图

TOLERANCE

0±0.30

.0±0.25

.00±0.20

.000±0.015

TITLE	成品规格图		TOLERANCE	
CHECKED BY	DATE	SCALE	VER No	SIZE
DRAWN BY	UNIT:mm	1:1	A	A4
李国常	PART NO	H1006B-NP		

1

B

C

D

E

F

4

4

B

C

B

C

D

E

F

中国常

PART No

H1006E-30

UNIT:mm

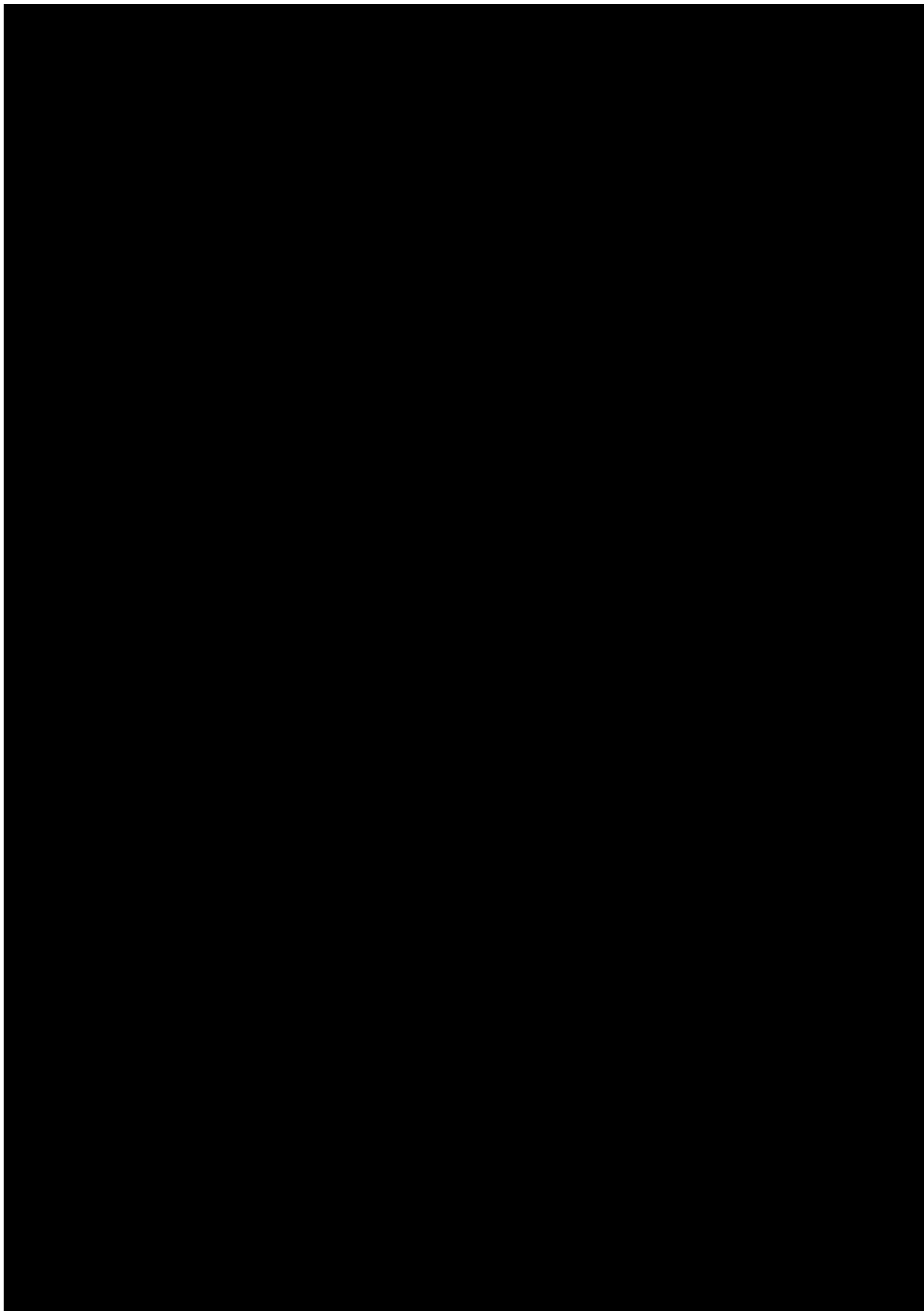
08

1:1

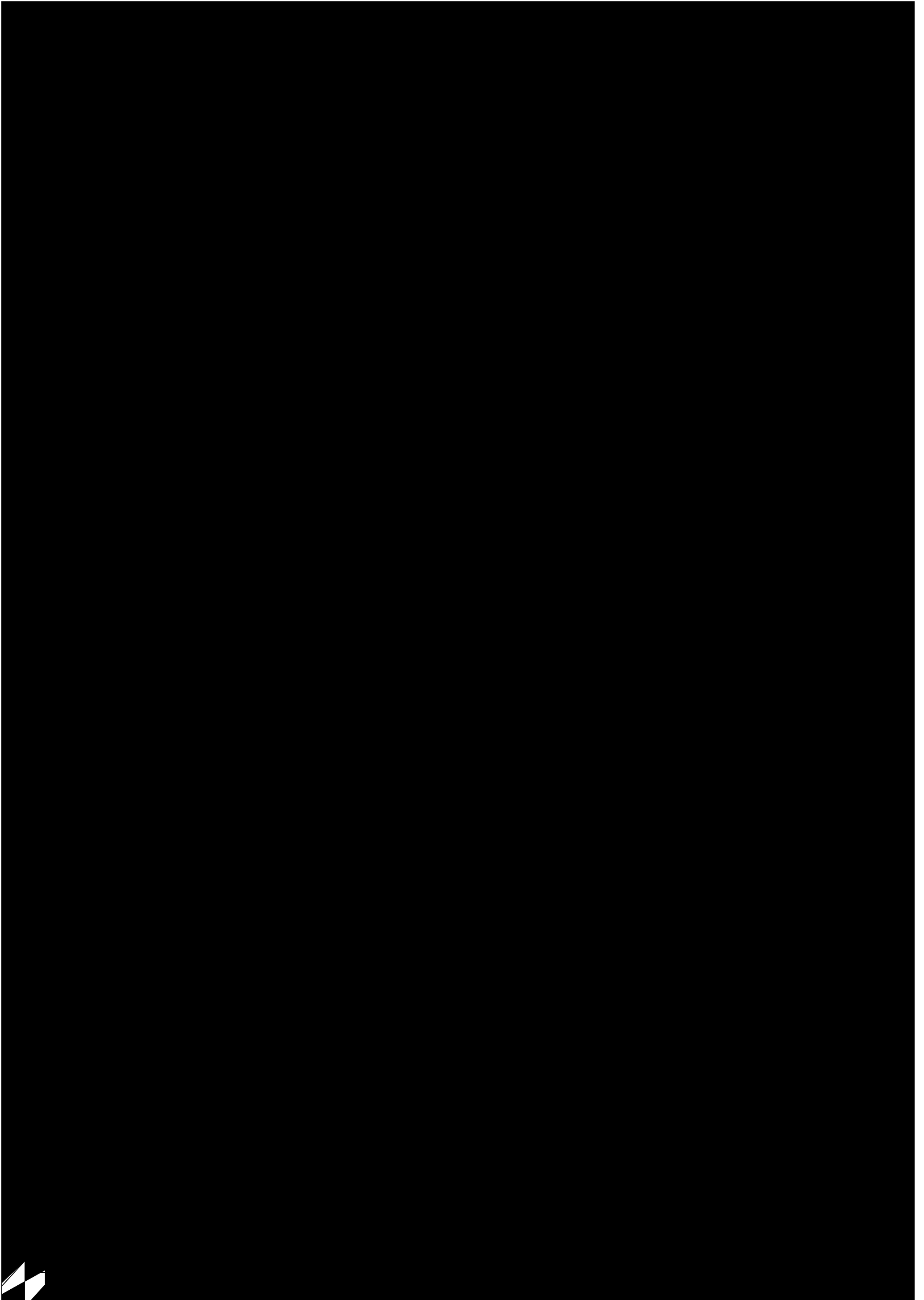
VER A

FILE

.0







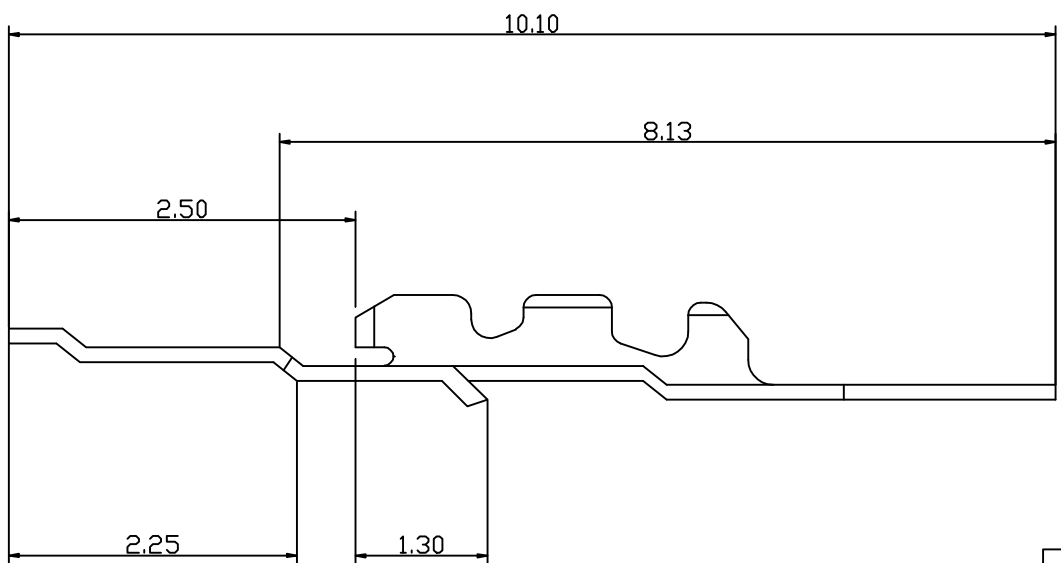
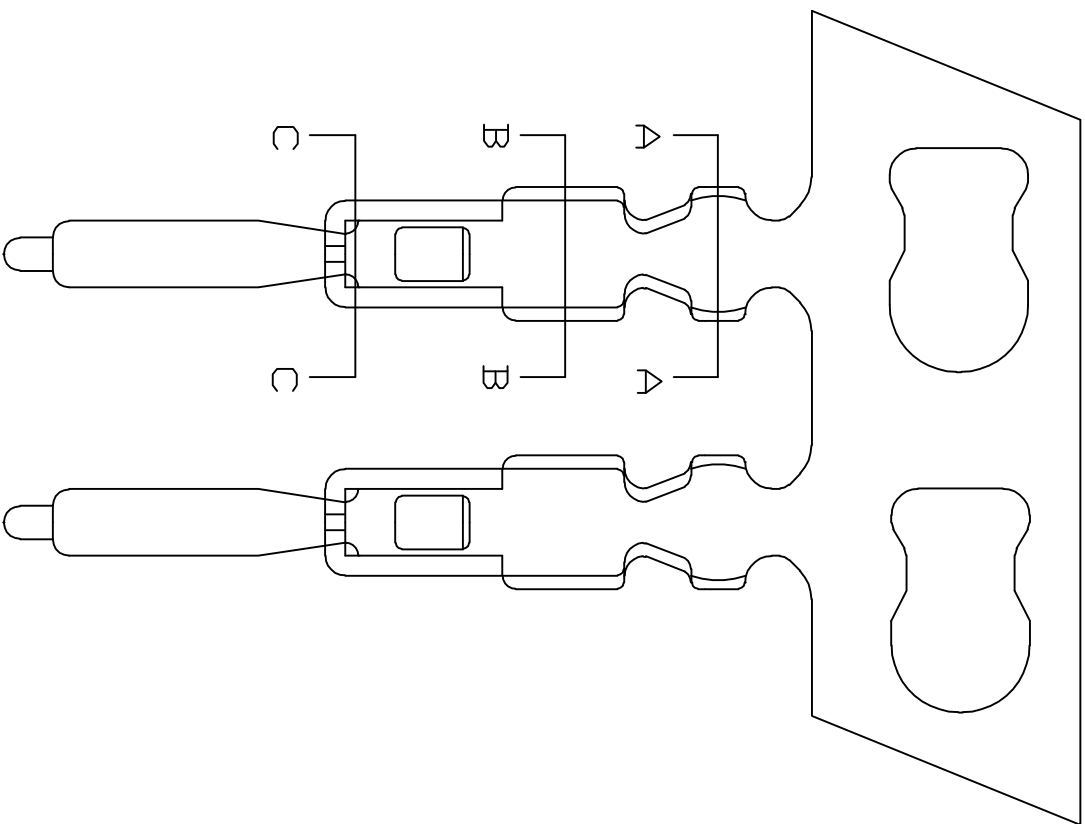
B

C

E

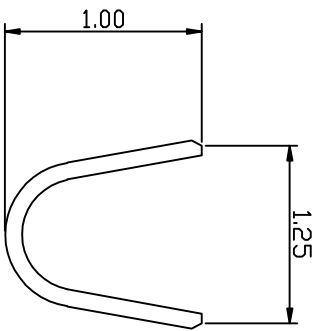
公差表

REV	ECN NO	LOCATIONS	DESCRIPTION	DATE	CHANGER
A			新版本	2016-04-08	李国常

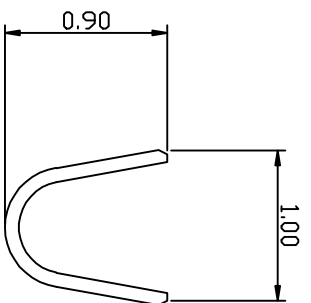


- SPECIFICATIONS**
- Voltage rating: 50V AC, DC
 - Current rating: 1A, AC, DC
 - Withstanding Voltage: 500V AC/minute
 - Insulation resistance: 100MΩ min
 - Temperature range: -40℃~+85℃
 - Contact resistance: 20MΩ max

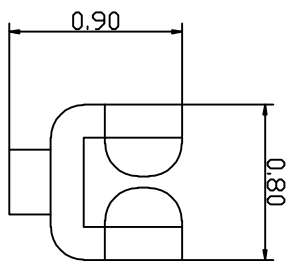
- TERMINAL**
- Part No: T1006PG
 - Applicable wire: AWG#28-#32
 - Material: Phosphor Bronze
 - Finish: Gold-flash



SEC: A-A



SEC: B-B



SEC: C-C

KLIT 深圳市康利通电子科技有限公司

成品规格图

TOLERANCE

0±0.30

.0±0.25

.00±0.20

.000±0.015

TITLE

CHECKED BY

DATE

SCALE

DRAWN BY

UNIT:mm

1:1

VER No

PART No

李国常

T1006PG

A

A4

B

C

D

E

F

1

4

4

B

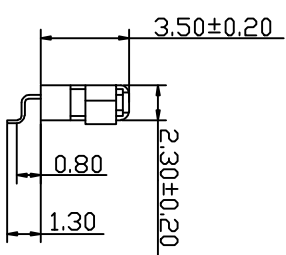
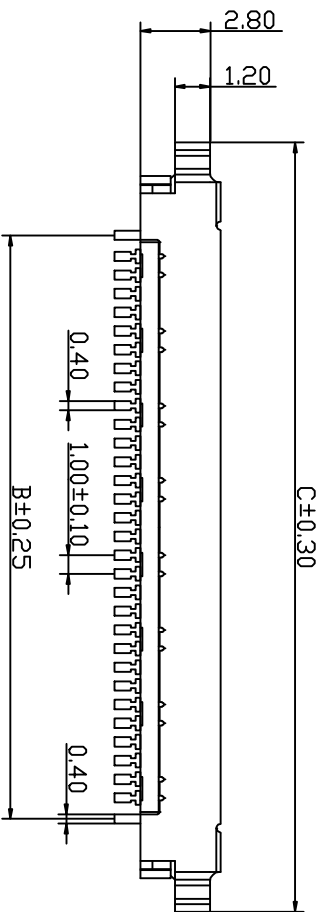
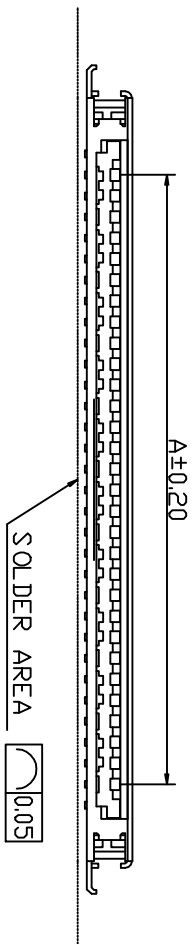
C

E

公差表

REV	ECN NO	LOCATIONS	DESCRIPTION	DATE	CHANGER
A			新版本	2016-04-08	李国常

4

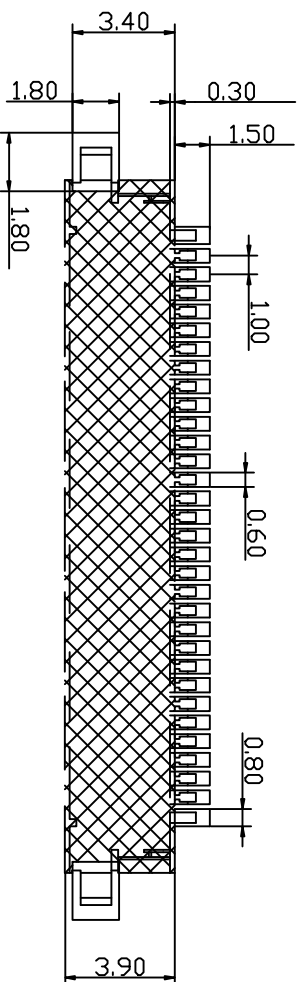


- SPECIFICATIONS**
- Voltage rating: 200V AC, DC
 - Current rating: 1A, AC, DC
 - Withstanding Voltage: 500V AC/minute
 - Insulation resistance: 100MΩ min
 - Temperature range: -40℃~+85℃
 - Contact resistance: 20MΩ max

■ WAFER

- Part No: W1006SR-NP
- Poles: 20, 30
- Material: Nylon 6T UL94V-0
- Ter Material: Phosphor Bronze /Gold-flash

Part No	Dimensions (mm)		
	A	B	C
W1006SR-20	19.00	21.00	26.65
W1006SR-30	29.00	31.00	36.65



P.C.B. LAYOUT

KLT 深圳市康利通电子科技有限公司

成品规格图

TOLERANCE

0±0.30

.0±0.25

.00±0.20

.000±0.015

TITLE	成品规格图		SCALE		VER No		SIZE	
CHECKED BY	DATE	2016-04-08	1:1	A	A4			
DRAWN BY	UNIT:mm							
李国常	PART No	W1006SR-NP						

B

C

D

E

F

4

1