

ANGER

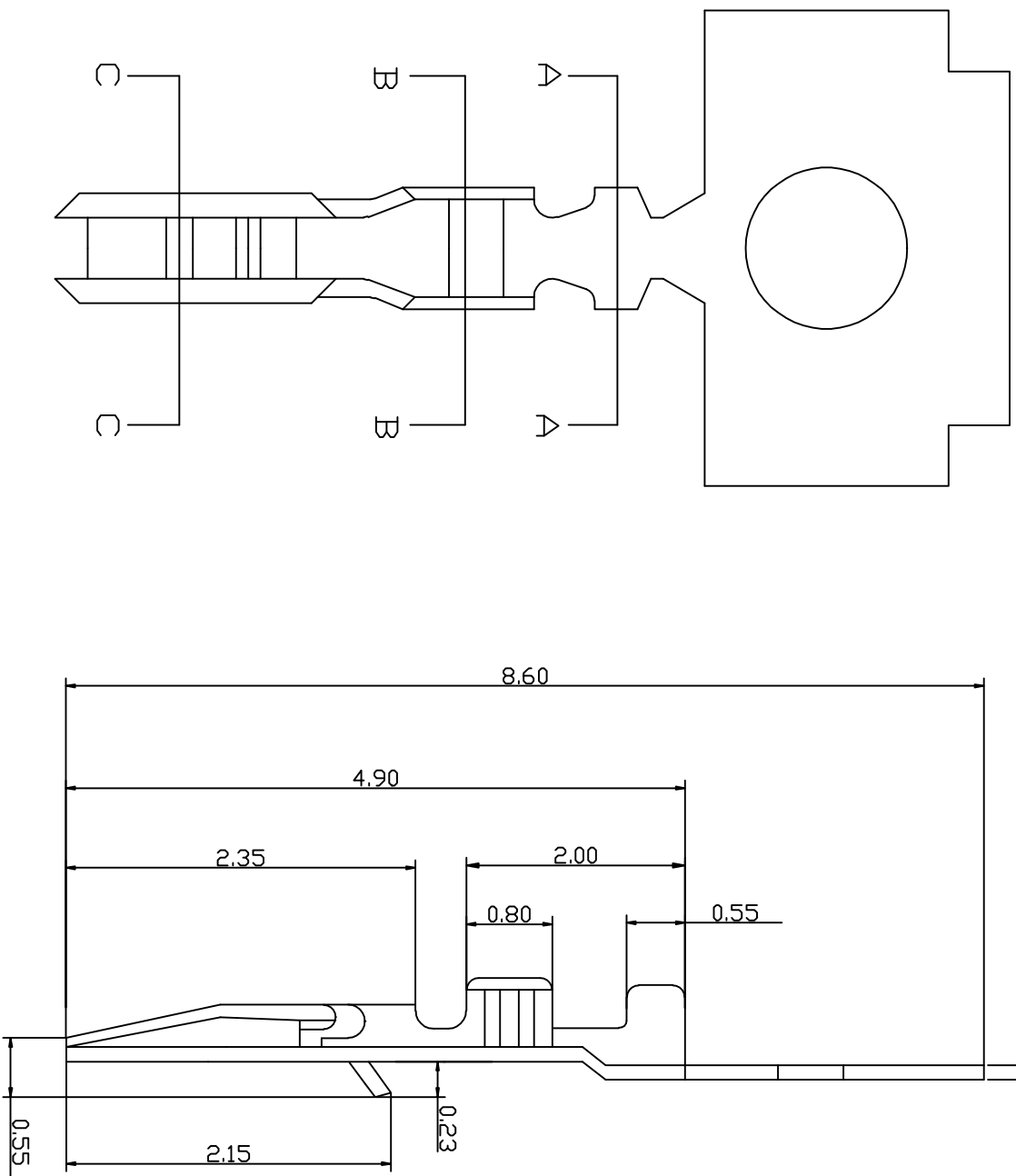
B

C

E

公差表

REV	ECN NO	LOCATIONS	DESCRIPTION	DATE	CHANGER
A			新版本	2016-04-11	李国常



4

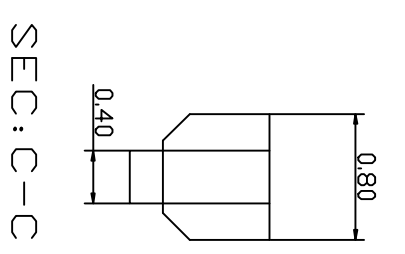
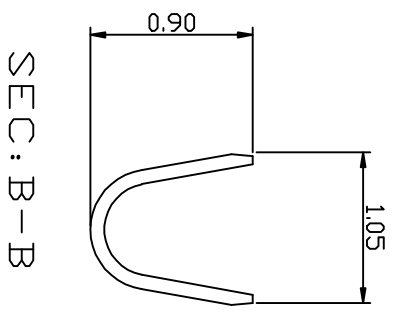
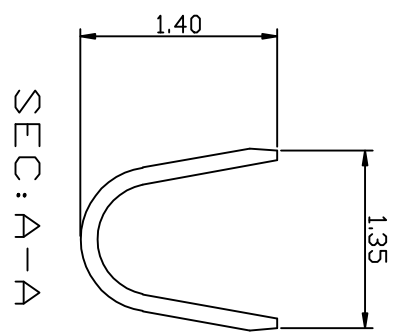
4

**SPECIFICATIONS**

- Voltage rating: 50V AC,DC
- Current rating: 1A, AC, DC
- Withstanding Voltage: 500V AC/minute
- Insulation resistance: 100MΩ min
- Temperature range: -40℃~+85℃
- Contact resistance: 20MΩ max

**TERMINAL**

- Part No: T1009PG
- Applicable wire: AWG#28-#32
- Material: Phosphor Bronze
- Finish: Gold-flash



**KLT** 深圳市康利通电子科技有限公司

成品规格图

TOLERANCE

0±0.30

.0±0.25

.00±0.20

.000±0.015

VER No SIZE

A A4

1

TITLE	DATE	SCALE	VER No		SIZE
CHECKED BY	2016-04-11	1:1	A	A	A4
DRAWN BY	UNIT:mm				
李国常	PART No	T1009PG			

B

C

D

E

F

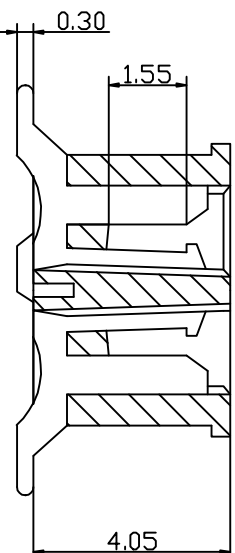
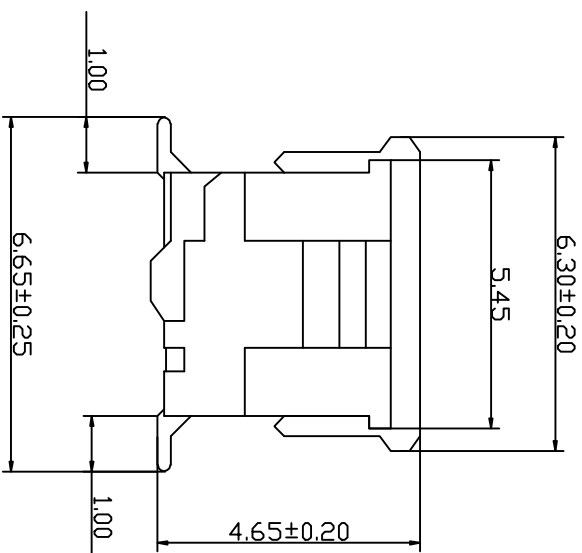
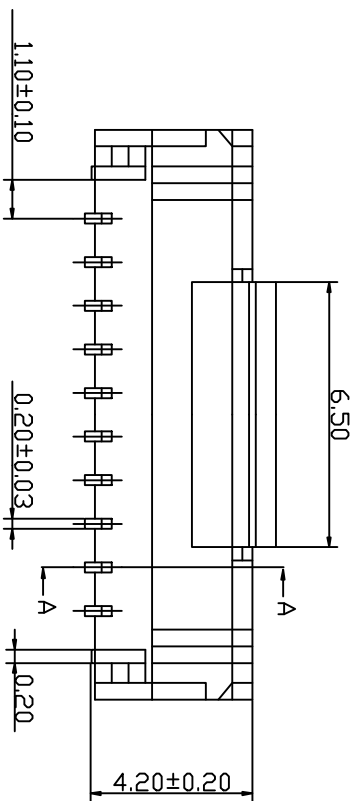
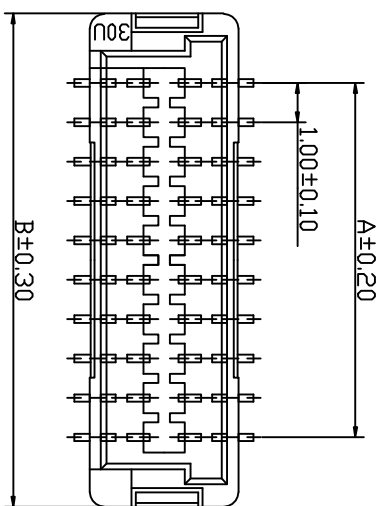
B

C

E

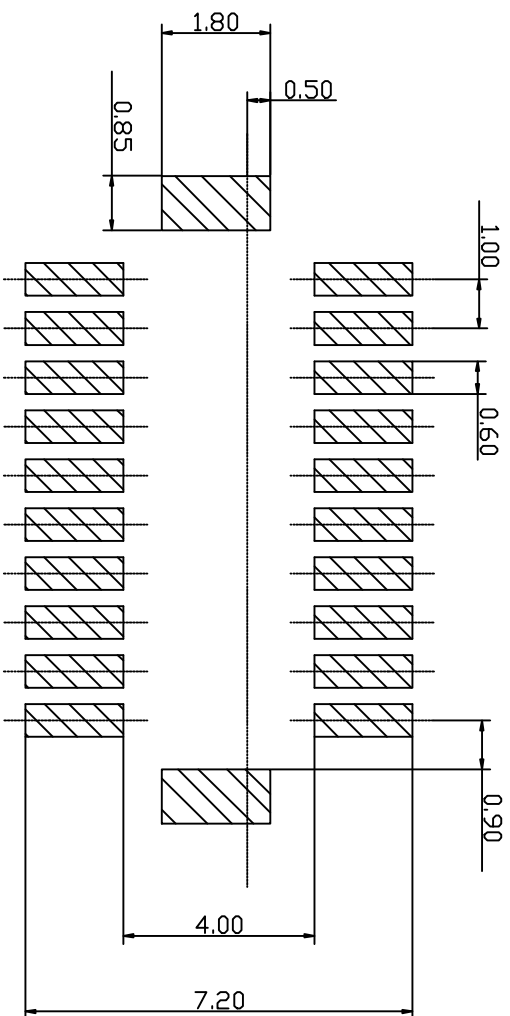
公差表

REV	ECN NO	LOCATIONS	DESCRIPTION	DATE	CHANGER
A			新版本	2016-04-11	李国常



SBC: A-A

Part NO	Dimensions (mm)	
	A	B
W1009SV-2*10	9.00	13.00
W1009SV-2*15	14.00	18.00
W1009SV-2*20	19.00	23.00
W1009SV-2*25	24.00	28.00



P.C.B LAYOUT

**KLT** 深圳市康利通电子科技有限公司

成品规格图

TOLERANCE

0±0.30

.0±0.25

.00±0.20

.000±0.015

1

TITLE

CHECKED BY

2016-04-11

SCALE

1:1

VER No

DRAWN BY

李国常

UNIT:mm

SIZE

A4

PART NO

W1009SV-2\*NP

4

4

B

C

D

E

F