



F

公差表

E

公差表

B

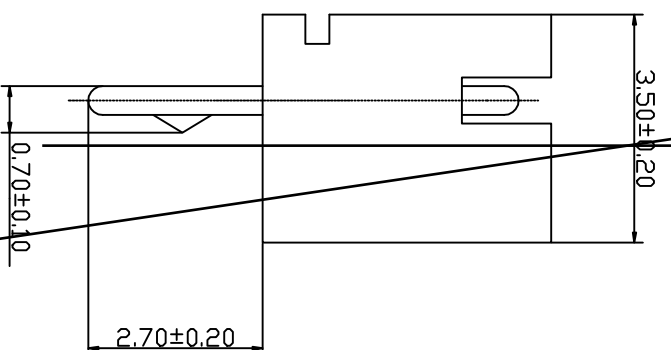
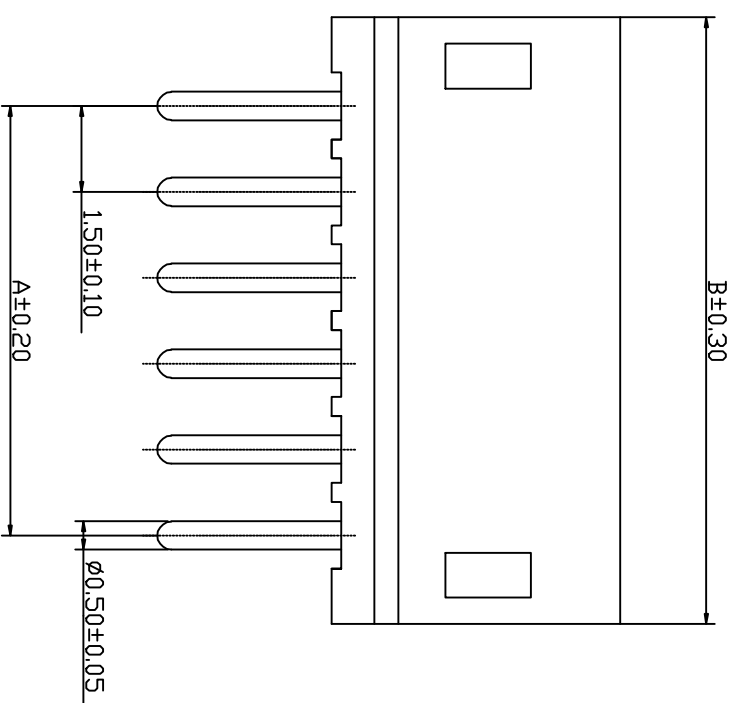
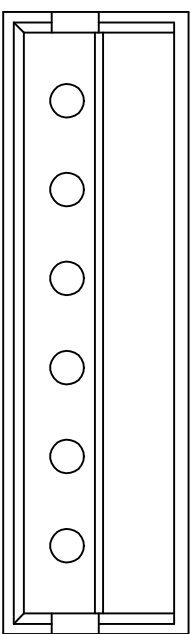
C

E

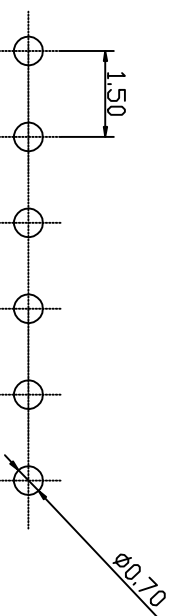
公差表

REV	ECN NO	LOCATIONS	DESCRIPTION	DATE	CHANGER
A			新版本	2016-04-18	李国常

4



- SPECIFICATIONS**
- Voltage rating: 50V AC, DC
 - Current rating: 1A, AC, DC
 - Withstanding Voltage: 500V AC/minute
 - Insulation resistance: 500MΩ min
 - Temperature range: -40°C~+85°C
 - Contact resistance: 10MΩ max
- WAFER**
- Part No: W1500V-NP
 - Poles: 1
 - Material: Nylon 66 UL94V-0



P.C.B LAYOUT

KLIT 深圳市康利通电子科技有限公司

TITLE

成品规格图

TOLERANCE

0±0.30

.0±0.25

.00±0.20

.000±0.015

CHECKED BY

DATE

SCALE

2016-04-18

1:1

VER No

SIZE

DRAWN BY

UNIT:mm



A

A4

李国常

PART No

W1500V-NP

B

C

D

E

F

1

4

B

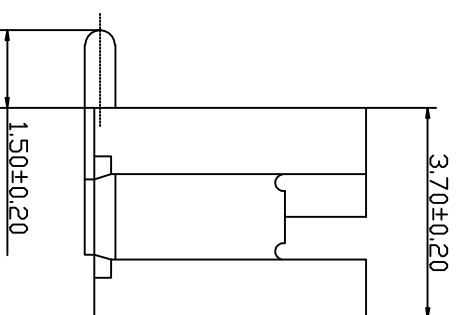
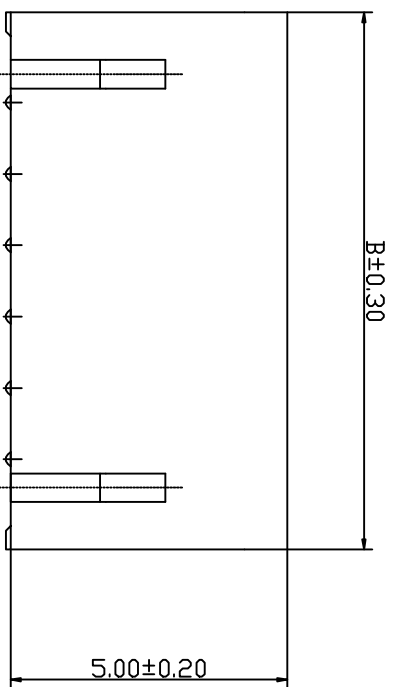
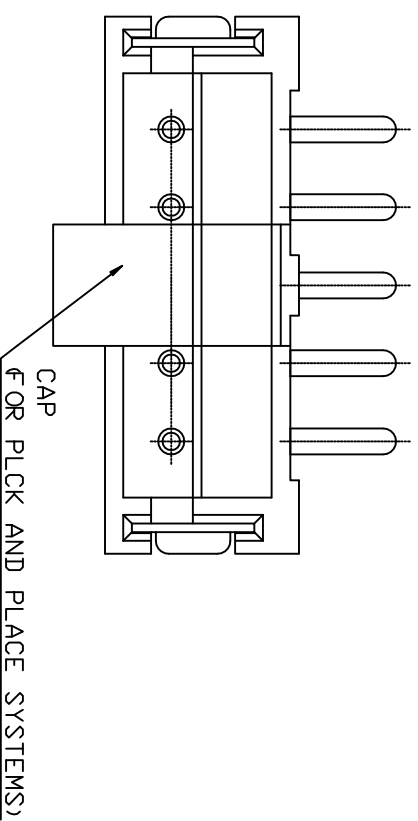
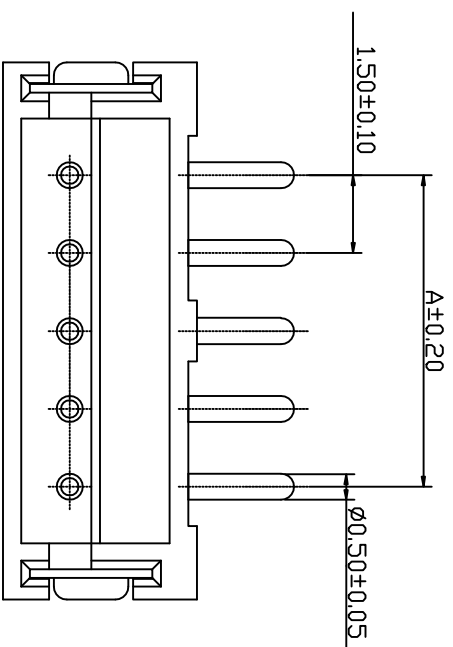
C

E

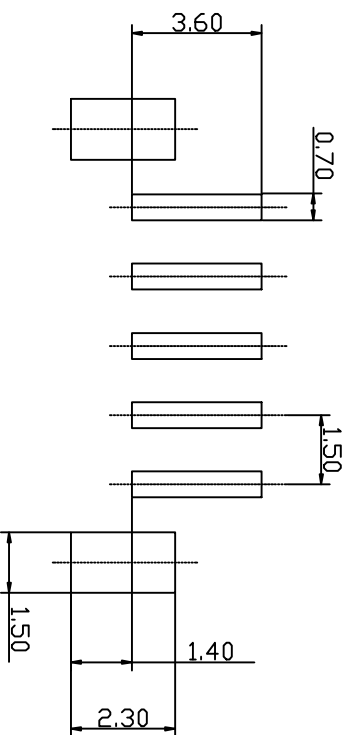
公差表

REV	ECN NO	LOCATIONS	DESCRIPTION	DATE	CHANGER
A			新版本	2016-04-18	李国常

4



Part No	Dimensions (mm)	
	A	B
W1500SV-02	1.50	6.00
W1500SV-03	3.00	7.50
W1500SV-04	4.50	9.00
W1500SV-05	6.00	10.50
W1500SV-06	7.50	12.00
W1500SV-07	9.00	13.50
W1500SV-08	10.50	15.00
W1500SV-09	12.00	16.50
W1500SV-10	13.50	18.00
W1500SV-11	15.00	19.50
W1500SV-12	16.50	21.00
W1500SV-13	18.00	22.50



P.C.B LAYOUT

KLT 深圳市康利通电子科技有限公司

成品规格图

TOLERANCE

0±0.30

.0±0.25

.00±0.20

.000±0.015

1

TITLE	成品规格图		TOLERANCE	
CHECKED BY	DATE	SCALE	VER No	SIZE
DRAWN BY	UNIT:mm	1:1	A	A4
PART No	W1500SV-NP			

李国常

2016-04-18

1:1

A

A4

W1500SV-NP

B

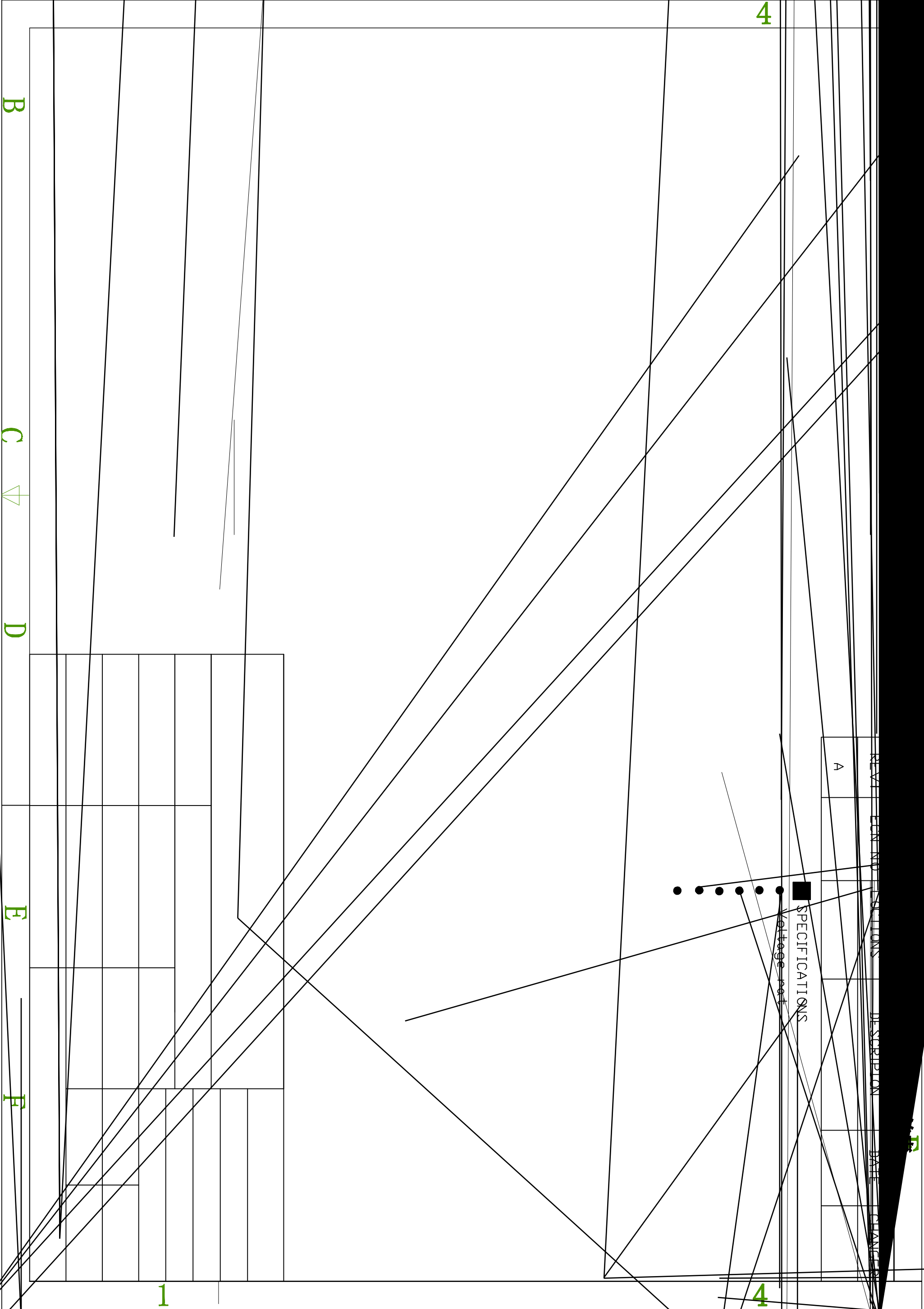
C

D

E

F

4



B

C

D

E

F

1

4

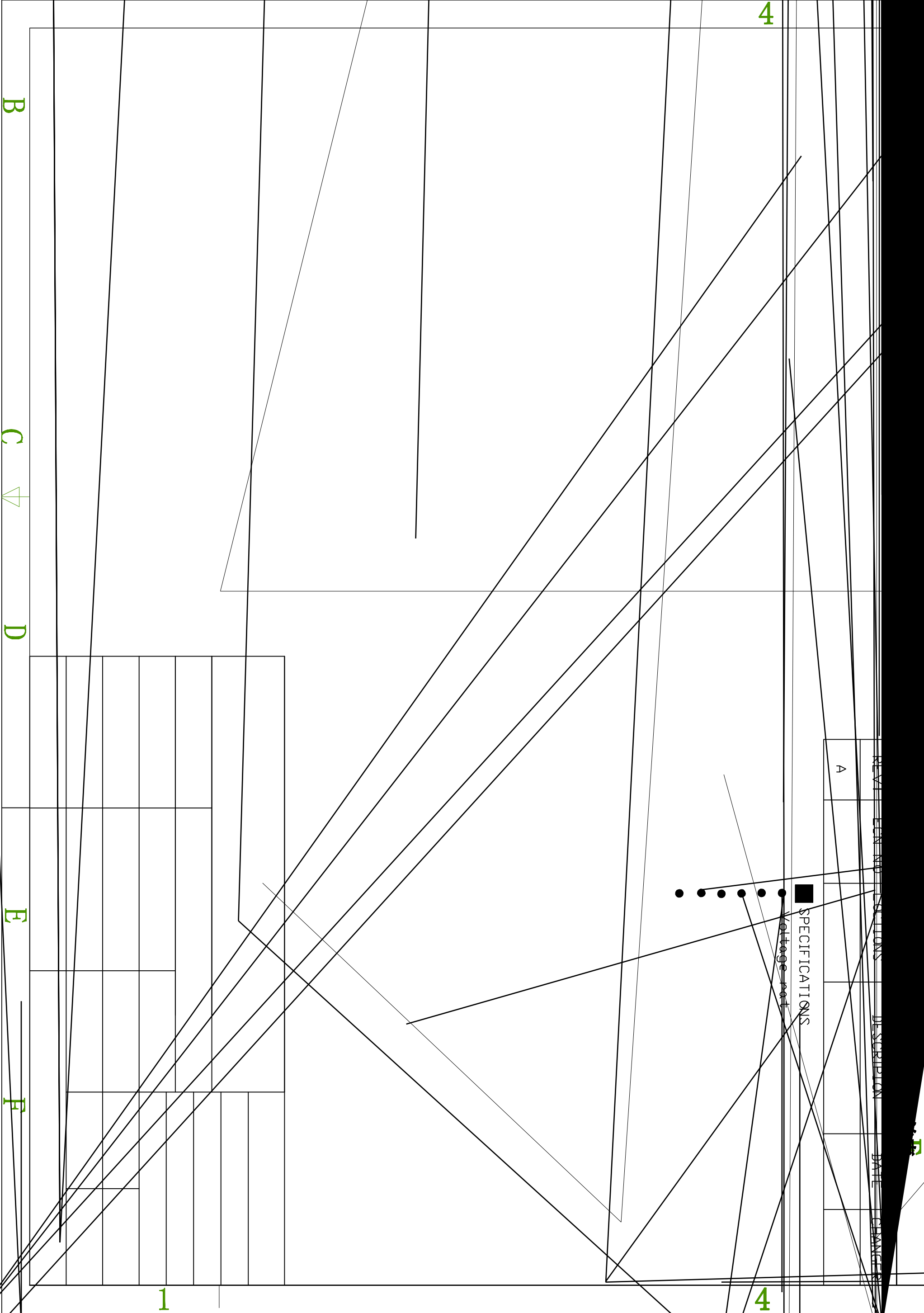
4

SPECIFICATIONS

Voltage port

REV	EIN	NO.	ECTIONS	DESCRIPTION	DATE	CHANGED BY
A						

12



B

C

D

E

F

1

4

4

NO. OF ELECTRICAL LOCATIONS	DESCRIPTION	DATE CHANGED
A		

SPECIFICATIONS

Voltage port

1