

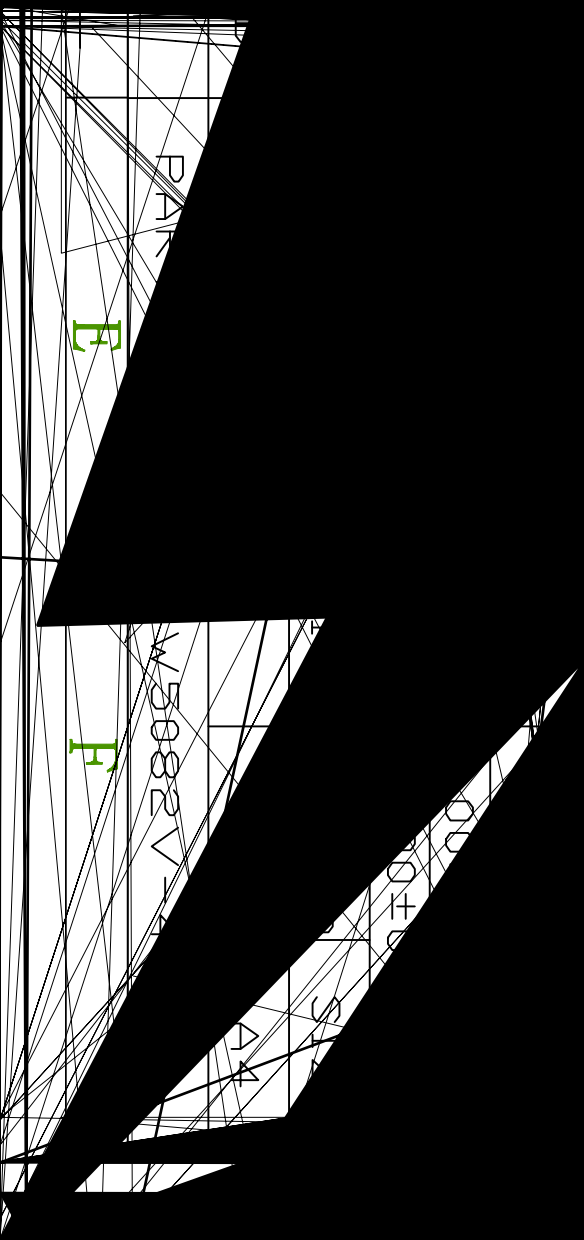
PAK

H

W 5082 V

H

00 04 2



PAK

H

W 5082 V

H

00049

SY

VA

CHANGER
李国常

TITLE	成品规格图	SCALE	1:1	VER No	A	SIZE	A4
CHECKED BY		DATE	2016-06-08				
DRAWN BY	李国常	UNIT:mm		PART No		W5082R-4P	

B

C

D

E

F

1

4

B

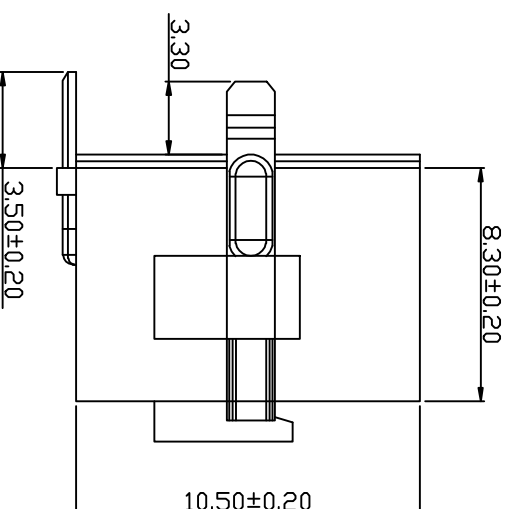
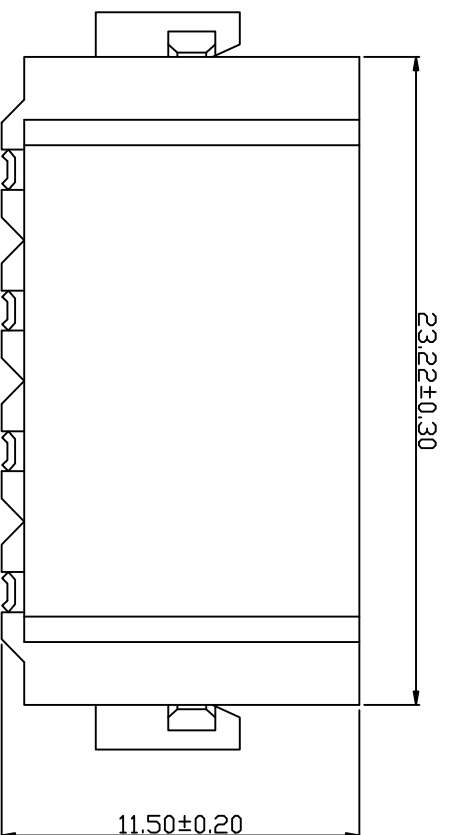
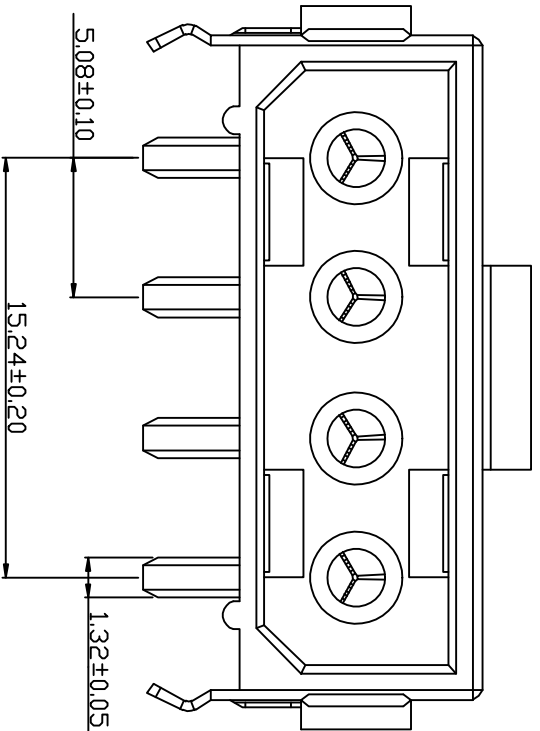
C

E

公差表

REV	ECN NO	LOCATIONS	DESCRIPTION	DATE	CHANGER
A			新版本	2016-06-08	李国常

4



- SPECIFICATIONS**
- Voltage rating: 250V AC, DC
 - Current rating: 10A, AC, DC
 - Withstanding Voltage: 1500V AC/minute
 - Insulation resistance: 1000MΩ min
 - Temperature range: -40℃~+85℃
 - Contact resistance: 10MΩ max
- WAFER**
- Part No: W5082RT-4P
 - Material: Nylon 66 UL94V-2
 - Pin Material: Brass /Tin-plated

4

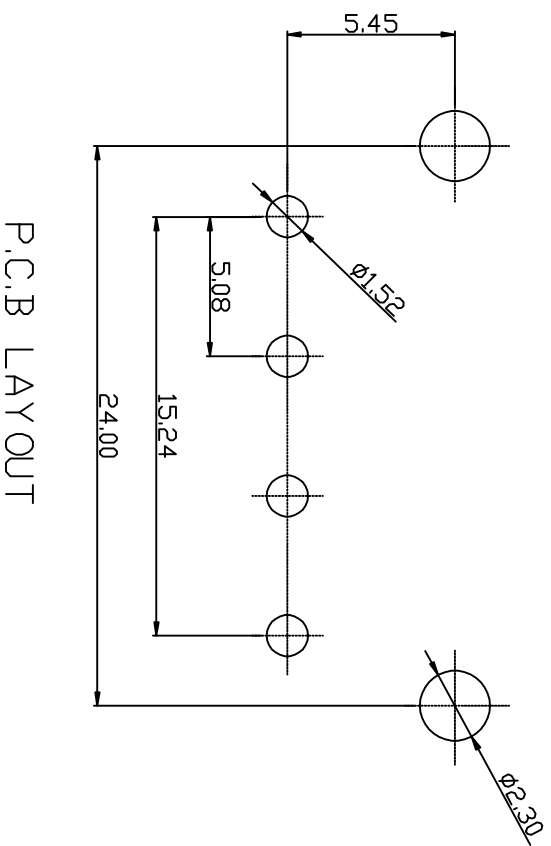
B


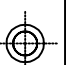
C

D

E

F



 深圳市康利通电子科技有限公司		T O C E R A N C E	
		0±0.30	
TITLE	成品规格图	.0±0.25	
CHECKED BY	DATE	SCALE	.000±0.015
	2016-06-08	1:1	VER No
DRAWN BY	UNIT:mm		SIZE
李国常	PART No	W5082RT-4P	

1