

B

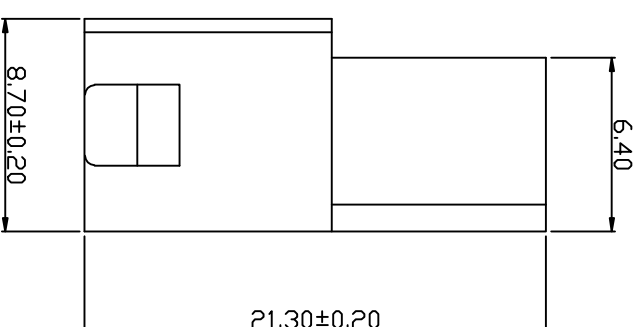
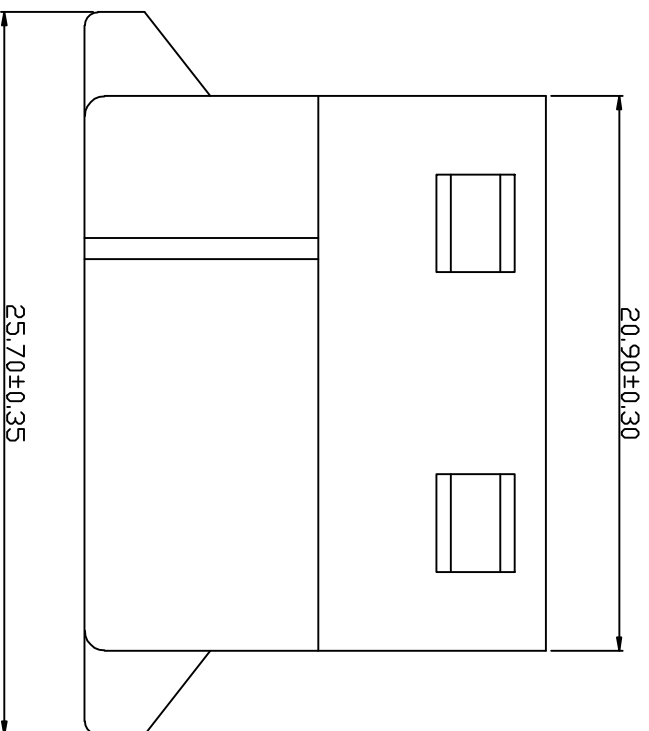
C

E

公差表

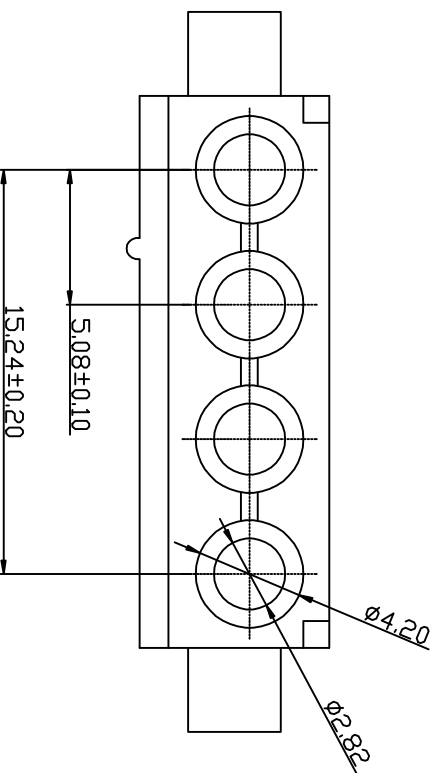
REV	ECN NO	LOCATIONS	DESCRIPTION	DATE	CHANGER
A			新版本	2016-06-08	李国常

4



- SPECIFICATIONS**
- Voltage rating: 250V AC, DC
 - Current rating: 10A, AC, DC
 - Withstanding Voltage: 1500V AC/minute
 - Insulation resistance: 1000MΩ min
 - Temperature range: -40°C~+105°C
 - Contact resistance: 10MΩ max
- HOUSING**
- Part No: H5081-04
 - Material: Nylon 66 UL94V-2

4



KLIT 深圳市康利通电子科技有限公司

TOLERANCE

0±0.30

.0±0.25

.00±0.20

.000±0.015

成品规格图

TITLE

CHECKED BY

DATE

SCALE

DRAWN BY

UNIT:mm

1:1

VER No

SIZE

李国常

PART No

H5081-04

B

C

D

E

F

1

B

C

E

公差表

REV	ECN NO	LOCATIONS	DESCRIPTION	DATE	CHANGER
A			新版本	2016-06-08	李国常

■ SPECIFICATIONS

- Voltage rating: 250V AC, DC
 - Current rating: 10A, AC, DC
 - Withstanding Voltage: 1500V AC/minute
 - Insulation resistance: 1000MΩ min
 - Temperature range: -40°C~+105°C
 - Contact resistance: 10MΩ max
- HOUSING
- Part No: H5082-04
 - Material: Nylon 66 UL94V-2

4

4

 深圳市康利通电子科技有限公司

TOLERANCE

0±0.30

.0±0.25

.00±0.20

.000±0.015

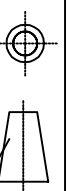
VER No SIZE

A

A4

成品规格图

TITLE	DATE	SCALE	VER No	SIZE
CHECKED BY	2016-06-08	1:1		

DRAWN BY	UNIT:mm		A	A4
李国常	PART No	H5082-04		

B

C

D

E

F

E

公差表

REV	ECN NO	LOCATIONS	DESCRIPTION	DATE	CHANGER
			新版本	2016-06-08	李国常

SPECIFICATIONS

- Voltage rating: 250V AC, DC
- Current rating: 10A, AC, DC
- Withstanding Voltage: 1500V AC/minute
- Insulation resistance: 1000MΩ min
- Temperature range: -40℃~+85℃
- Contact resistance: 10MΩ max

4

TOLERANCE

0±0.30

.0±0.25

.00±0.20

.000±0.015

VER No SIZE

A A4

MSI

TITLE

CHECKED

DATE

DRAWN

李国常

SCALE

1:1

UNIT:mm

PART No

T5081BT

B

C

D

E

F

1

B

C

E

公差表

REV	ECN NO	LOCATIONS	DESCRIPTION	DATE	CHANGER
A			新版本	2016-06-08	李国常

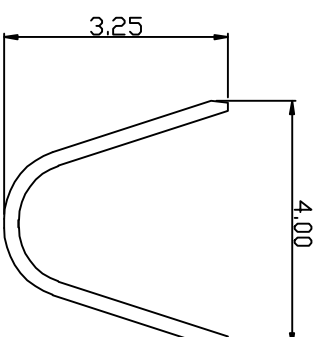
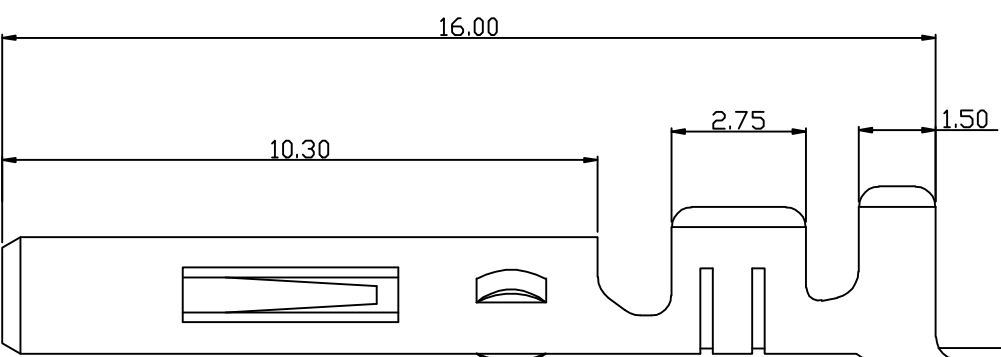
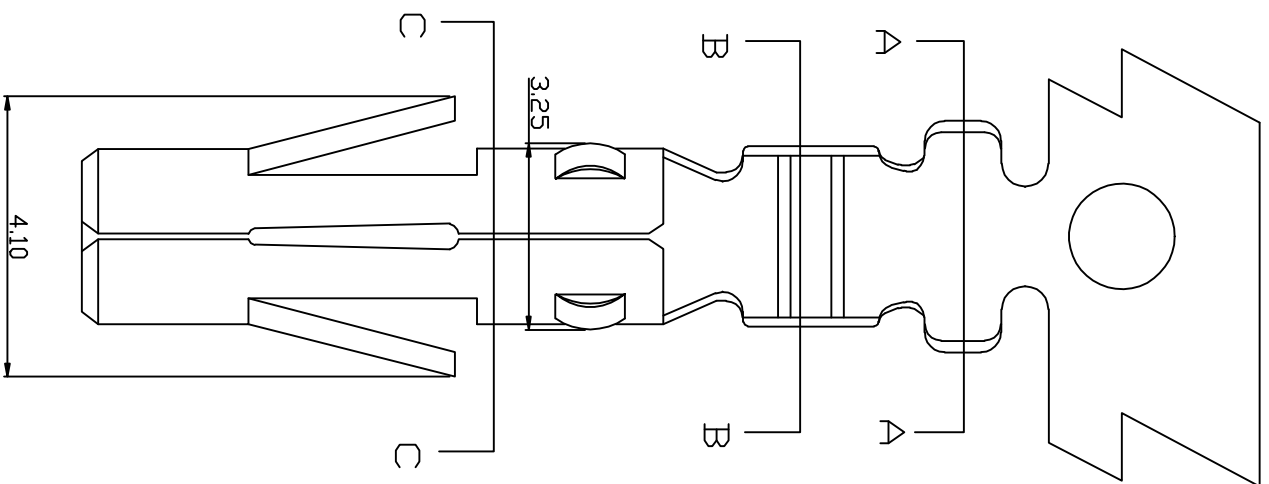
SPECIFICATIONS

- Voltage rating: 250V AC, DC
- Current rating: 10A, AC, DC
- Withstanding Voltage: 1500V AC/minute
- Insulation resistance: 1000MΩ min
- Temperature range: -40℃~+85℃
- Contact resistance: 10MΩ max

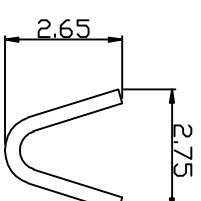
TERMINAL

- Part No: T5082BT
- Applicable wire: AWG#18-#24
- Material: Brass
- Finish: Tin plated

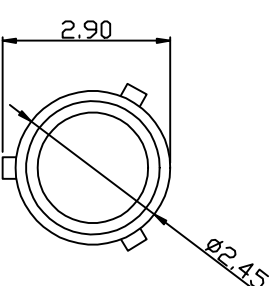
4



SEC: A-A



SEC: B-B



SEC: C-C

KLT 深圳市康利通电子科技有限公司

成品规格图

TOCERANCE

0±0.30

.0±0.25

.00±0.20

.000±0.015

TITLE	DATE	SCALE	VER No	SIZE
CHECKED BY	2016-06-08	1:1		
DRAWN BY	UNIT:mm		A	A4
李国常	PART No	T5082BT		

B

C

D

E

F

1

4