

B

C

E

公差表

ECN NO	LOCATIONS	DESCRIPTION	DATE	CHANGER
		新版本	2016-06-12	李国常

4

SPECIFICATIONS

Voltage rating: 600V AC, DC
 Current rating: 15A, AC, DC
 Standby Voltage: 5000V AC/minute
 Resistance: 1000MΩ min
 Temperature range: -40°C~+105°C
 Standby resistance: 3.5MΩ max

4

Part No.	Quantity	Unit	Material
H6351-01	25	PCS	H6
H6351-03	25	PCS	H6
H6351-04	25	PCS	H6
H6351-05	25	PCS	H6
H6	44.5	PCS	H6

KLIT 深圳市康利通电子科技有限公司

TITLE	成品规格图	SCALE	1:1	VER No	A	SIZE	A4
CHECKED BY	李国常	DATE	2016-06-12	UNIT:mm			
DRAWN BY	李国常	PART No	H6351-NP				

B

C

D

E

F

B

C

E

公差表

REV	ECN NO	LOCATIONS	DESCRIPTION	DATE	CHANGER
A			新版本	2016-06-12	李国常

SPECIFICATIONS

- Voltage rating: 600V AC, DC
 - Current rating: 15A, AC, DC
 - Withstanding Voltage: 5000V AC/minute
 - Insulation resistance: 1000MΩ min
 - Temperature range: -40℃~+105℃
 - Contact resistance: 3.5MΩ max
- HOUSING
- Part No: H6351-3*NP
 - Poles: 06-15
 - Material: Nylon 66 UL94V-0

Part No	Dimensions (mm)	
	A	B
H6351-3*02	6.35	23.67
H6351-3*03	12.70	30.02
H6351-3*04	19.05	36.37
H6351-3*05	25.40	42.72

KL 深圳市康利通电子科技有限公司

TOLERANCE

0±0.30

.0±0.25

.00±0.20

.000±0.015

VER No SIZE

A A4

成品规格图

TITLE

CHECKED BY

DATE

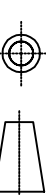
SCALE

2016-06-12

1:1

DRAWN BY

UNIT:mm



李国常

PART No

H6351-3*NP

4

4

B

C

D

E

F

1

B

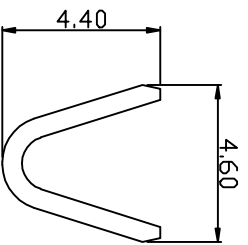
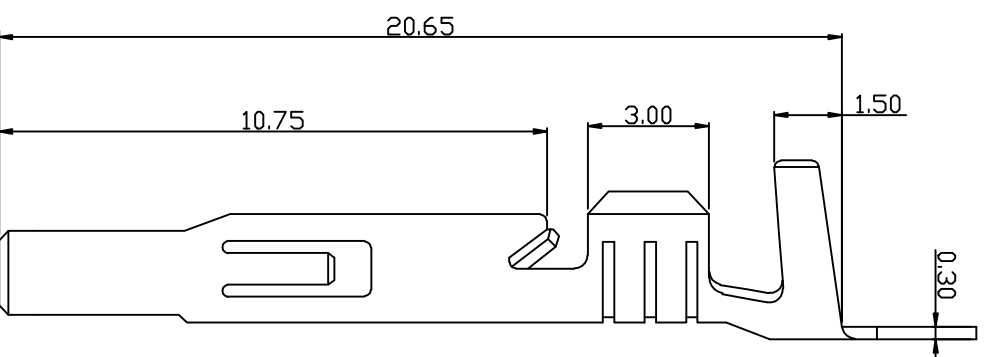
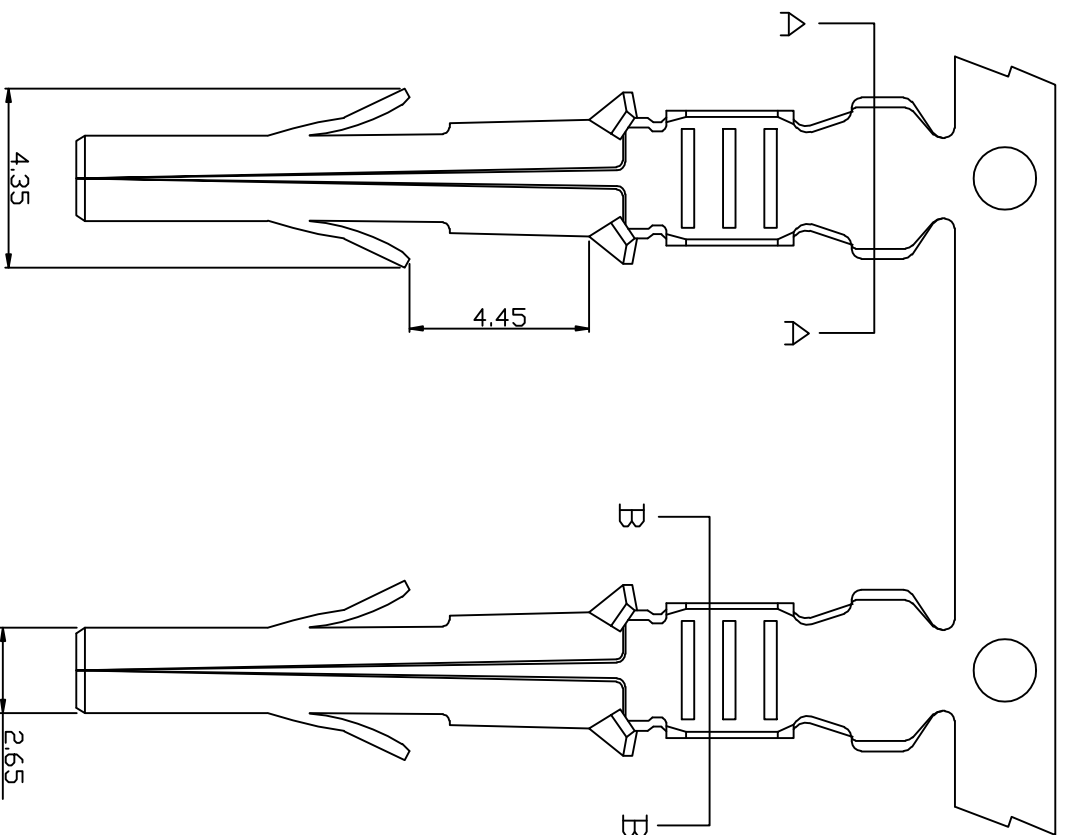
C

E

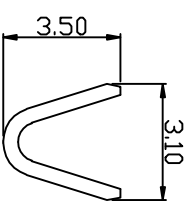
公差表

REV	ECN NO	LOCATIONS	DESCRIPTION	DATE	CHANGER
A			新版本	2016-06-12	李国常

4



SEC: A-A



SEC: B-B

4

- SPECIFICATIONS**
- Voltage rating: 250V AC, DC
 - Current rating: 10A, AC, DC
 - Withstanding Voltage: 1500V AC/minute
 - Insulation resistance: 1000MΩ min
 - Temperature range: -40℃~+85℃
 - Contact resistance: 10MΩ max
- TERMINAL**
- Part No: T6352BT
 - Applicable wire: AWG#14-#20
 - Material: Brass
 - Finish: Tin plated

KLIT 深圳市康利通电子科技有限公司

成品规格图

TOCERANCE

0±0.30

.0±0.25

.00±0.20

.000±0.015

1

TITLE	DATE	SCALE	VER No	SIZE
CHECKED BY	2016-06-12	1:1	A	A4
DRAWN BY	UNIT:mm			
DRAWN BY	PART No			
李国常	T6352BT			

B

C

D

E

F